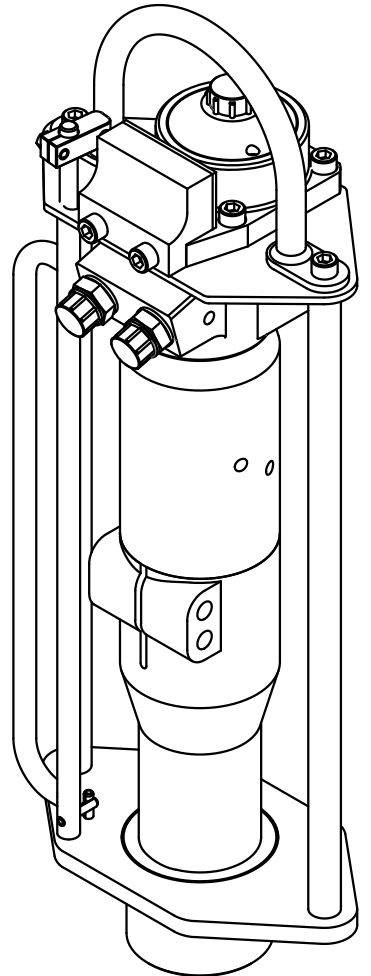


## Spare parts list

### Post drivers heavy-duty





# Contents

General information.....	5
Spare parts list.....	6
LPD-HD-T.....	6
LPD-HD-RV.....	10
Remote valve.....	14
Tightening torque.....	16
Working tools.....	17
Driver kits.....	17
Working tools.....	18
Accessories.....	19
Hoses and couplings.....	19
Kits.....	20
Seal kit.....	20
Label kit.....	21



## General information

This spare parts list applies to the following:

Part number	Description
1801 4140 00	Hydraulic post driver LPD-HD-T
1801 4150 00	Hydraulic post driver LPD-HD-RV

Use only authorized parts. Any damage or malfunction caused by the use of unauthorized parts is not covered by Warranty or Product Liability. Any unauthorized use or copying of the contents or any part thereof is prohibited. This applies in particular to trademarks, model denominations, part numbers, and drawings.

### Instructions for use

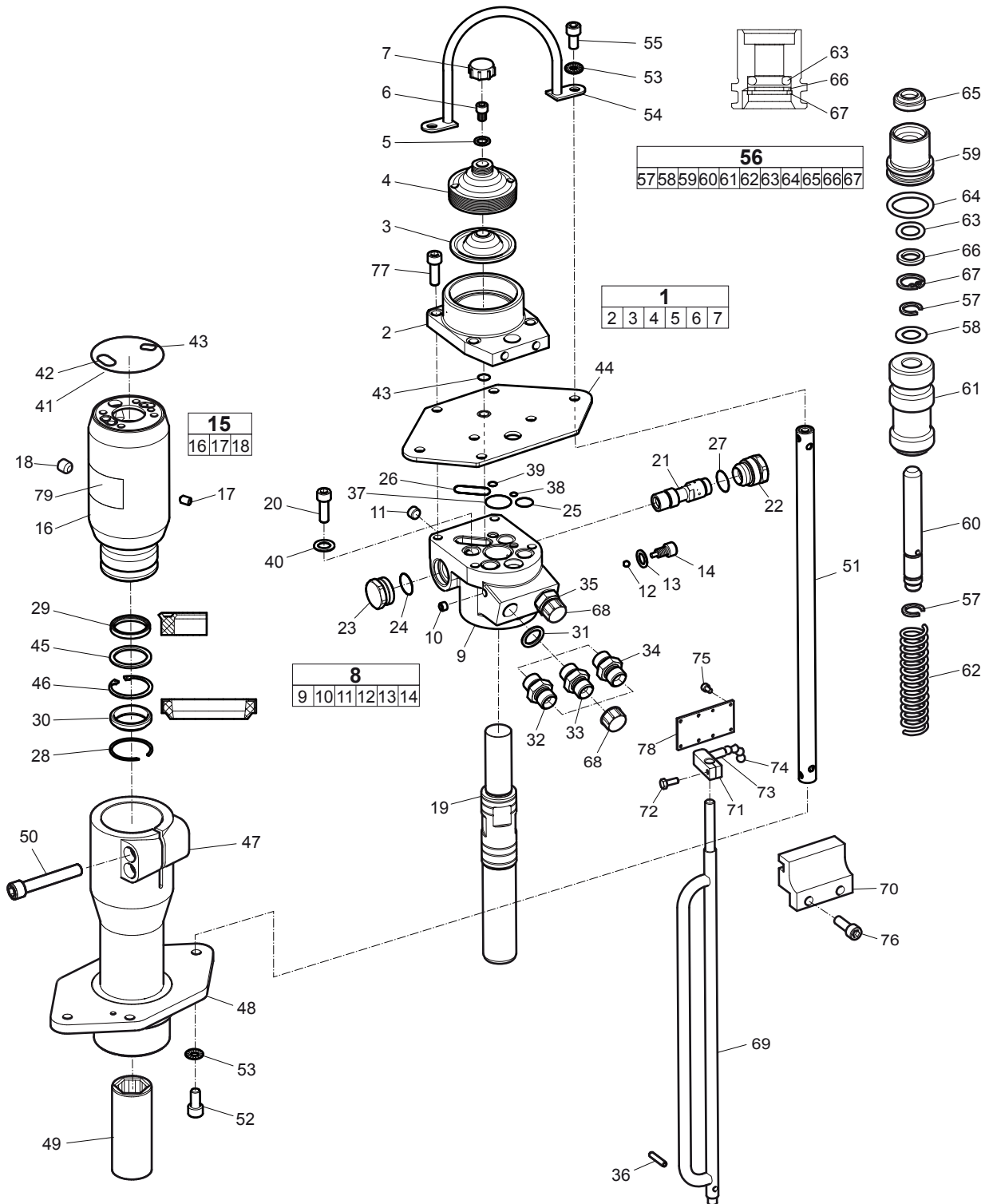
This spare parts list contains no safety regulations and is merely intended to assist in the ordering of spare parts.

For information about operating, servicing, or repairing, the relevant Safety and operating instructions must be consulted at all costs.

Please observe the safety instructions listed in the relevant Safety and operating instructions!

# Spare parts list

## LPD-HD-T



No.	Description	Remark	Quantity	Part number
<b>1(2-7)</b>	<b>Accumulator, complete</b>		1	3371 8210 24
2	Accumulator body		1	3371 8210 27
3	Diaphragm		1	3371 8140 52
4	Accumulator cover		1	3371 8140 66
5	Seal ring	8.7/13 x 1 mm 0.34/0.51 x 0.039 in.	1	3371 8147 09
6	Charging screw		1	3371 8131 03
7	Protective nut	M24 x 1.5 mm	1	3376 1170 71
<b>8(9-14)</b>	<b>Valve housing, complete</b>		1	3371 8210 25
9	Valve housing		1	-
10	Fitting 02	Use LOCTITE® 245™	4	3371 8147 33
11	Fitting 04	Use LOCTITE® 245™	2	3371 8131 41
12	Ball		1	3371 8207 17
13	Seal ring	9/14 x 1 mm 0.35/0.55 x 0.039 in.	1	3371 8207 18
14	Check valve screw		1	3371 8202 62
<b>15(16-18)</b>	<b>Cylinder, complete</b>		1	3371 8210 30
16	Cylinder		1	-
17	Fitting 02	Use LOCTITE® 245™	2	3371 8147 33
18	Fitting 04	Use LOCTITE® 245™	1	3371 8131 41
19	Piston		1	3371 8202 48
20	Screw	M10 x 35 mm, Use LOCTITE® 245™	4	3371 8147 23
21	Spool		1	3371 8202 65
22	Guide socket	Use LOCTITE® 245™	1	3371 8202 66
23	Spool socket	Use LOCTITE® 245™	1	3371 8202 67
24	O-ring	24 x 1.5 mm 0.94 x 0.06 in.	1	3371 8207 02
25	O-ring	18 x 2 mm 0.71 x 0.08 in.	4	3371 8207 03
26	O-ring	32 x 2 mm 1.26 x 0.08 in.	2	3371 8207 05
27	O-ring	25.12 x 1.78 mm 0.99 x 0.07 in.	1	3371 8207 62
28	Locking ring		1	3371 8207 51
29	Seal	38/45 x 6 mm 1.50/1.77 x 0.24 in.	1	3371 8207 49
30	Wiper	38/48 x 7/10 mm 1.50/1.89 x 0.28/0.39 in.	1	3371 8207 52
31	Seal ring	½ in. BSP	2	3371 8057 14
32	Nipple	(T) for 40 l/min, ½ in. BSP	1	3371 8057 11
33	Nipple	(T) for 35 l/min, ½ in. BSP	1	3371 8181 20
34	Nipple	(T) for 30 l/min, ½ in. BSP	1	3371 8180 13
35	Nipple	(T) for 40 l/min, ½ in. BSP	1	3371 8057 11
36	Roll pin	6 x 30 mm 0.24 x 1.18 in.	2	3371 8207 31
37	O-ring	30 x 2 mm 1.18 x 0.08 in.	1	3371 8207 04
38	O-ring	6 x 2 mm 0.24 x 0.08 in.	1	3371 8177 57
39	O-ring	8 x 2 mm 0.31 x 0.08 in.	1	3376 1000 84
40	Back-up washer		4	3371 8157 35
41	O-ring	82 x 1.5 mm 3.23 x 0.06 in.	1	3371 8207 25
42	O-ring	18 x 1.5 mm 0.71 x 0.06 in.	1	3371 8207 48

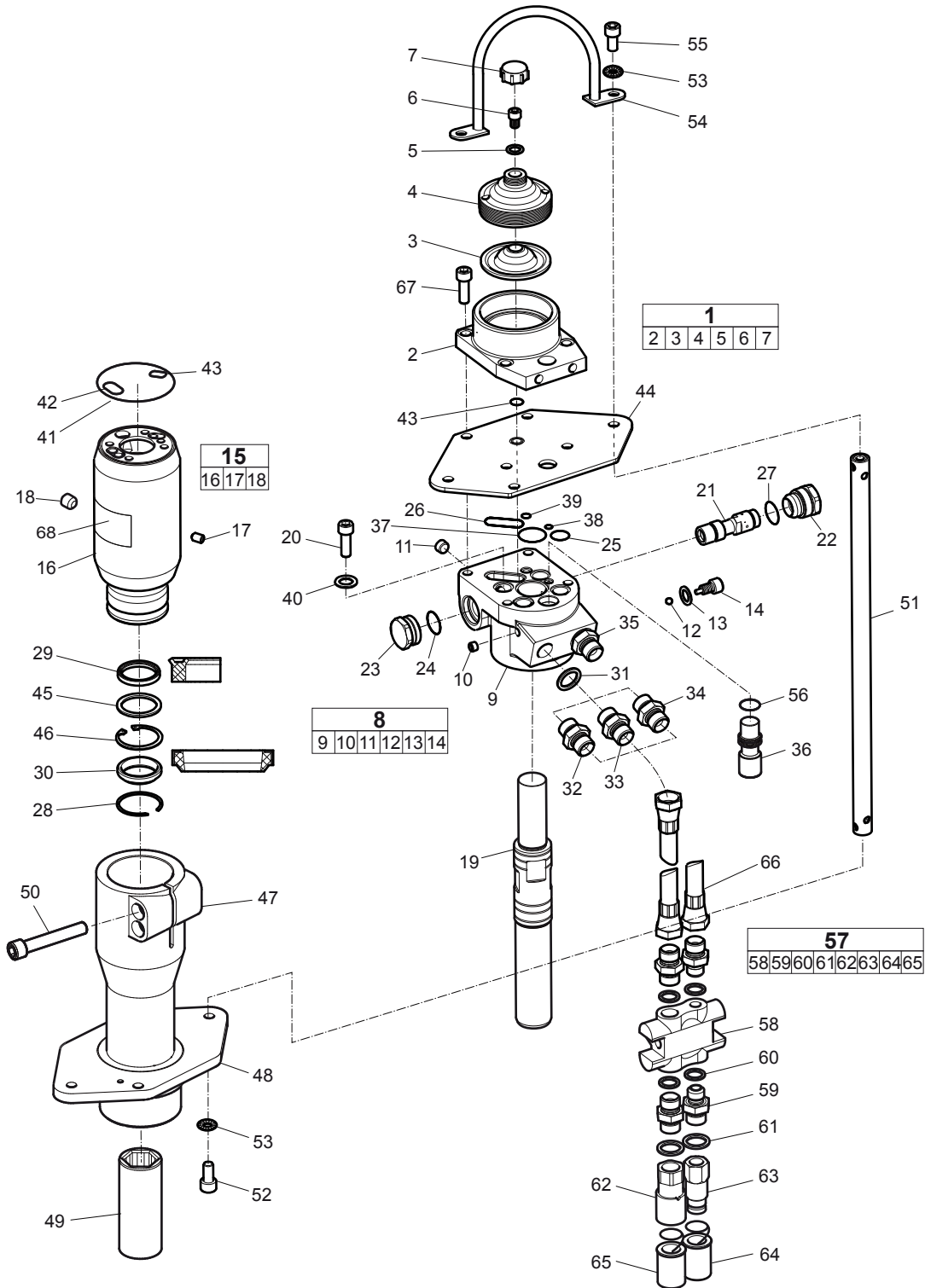
No.	Description	Remark	Quantity	Part number
43	O-ring	13 x 1.5 mm 0.51 x 0.06 in.	2	3371 8147 49
44	Top plate		1	3371 8202 81
45	Back-up washer	38.7/48 x 2.5 mm 1.52/1.89 x 0.98 in.	1	3371 8202 60
46	Locking ring		1	3371 8207 50
47	Nose part		1	3371 8211 11
48	Bottom plate	Welded assembly	1	3371 8210 41
49	Bushing	Hex 32 x 160 mm (1 ¼ x 6 ⅝ in.), Use LOCTITE® 648™	1	3371 8201 94
50	Screw	M12 x 75 mm, Use LOCTITE® 245™	2	3371 8207 53
51	Handle		2	3371 8202 88
52	Screw	M10 x 25 mm, Use LOCTITE® 245™	2	3376 1000 01
53	Washer	10 mm 0.39 in.	4	3377 1000 10
54	Lifting bracket		1	3371 8202 94
55	Screw	M10 x 20 mm, Use LOCTITE® 245™	2	3371 8177 21
<b>56(57-67)</b>	<b>Trigger valve, complete</b>		1	3371 8200 53
57	Circlip		2	3371 8147 32
58	Shim	PS 8 x 14 x 0.5 mm 0.31 x 0.55 x 0.02 in.	1	3371 8207 00
59	Trigger spool		1	3371 8201 08
60	Trigger rod		1	3371 8201 36
61	Packing gland		1	3371 8141 20
62	Spring		1	3371 8201 37
63	O-ring	8.3 x 2.4 mm 0.33 x 0.09 in.	1	3371 8147 00
64	O-ring	16.3 x 2.4 mm 0.64 x 0.09 in.	1	3371 8147 02
65	Seal	18/14 x 3.5/5 mm 0.71/0.55 x 0.14/0.20 in.	1	3371 8055 03
66	Back-up ring		1	3371 8147 01
67	Circlip		1	3371 8147 12
68	Protective cap	½ in. BSP	2	3371 8137 09
69	Trigger lever		1	3371 8202 89
70	Trigger housing		1	3371 8202 90
71	Trigger		1	3371 8202 92
72	Screw	M6 x 15 mm	1	3371 8177 26
73	Cylinder pin	9.53 x 25.4 mm ¾ x 1 in.	1	3371 8207 60
74	Ball	9.53 mm 3/8 in.	4	3371 8207 58
75	Screw	M5 x 8 mm	4	3377 0004 18
76	Screw	M10 x 30 mm, Use LOCTITE® 245™	2	3371 8177 20
77	Screw	M10 x 35 mm, Use LOCTITE® 245™	4	3371 8147 23
78	Trigger plate		1	3371 8202 91
79	Data plate		1	-

LOCTITE is a registered trademark of Henkel Corporation. 245, 648 are trademarks of Henkel Corporation.





# LPD-HD-RV



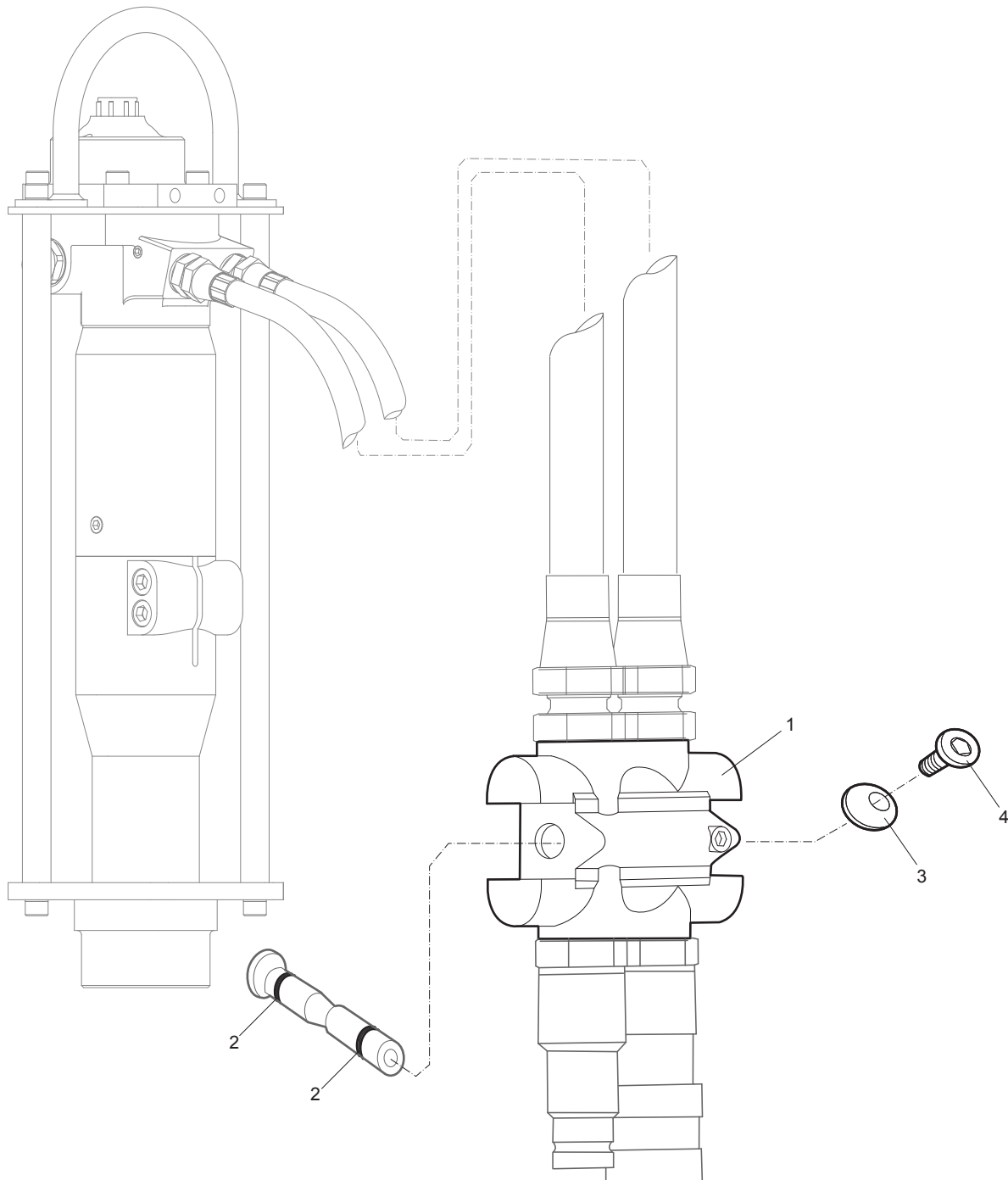
No.	Description	Remark	Quantity	Part number
<b>1(2-7)</b>	<b>Accumulator, complete</b>		1	3371 8210 24
2	Accumulator body		1	3371 8210 27
3	Diaphragm		1	3371 8140 52
4	Accumulator cover		1	3371 8140 66
5	Seal ring	8.7/13 x 1 mm 0.34/0.51 x 0.039 in.	1	3371 8147 09
6	Charging screw		1	3371 8131 03
7	Protective nut	M24 x 1.5 mm	1	3376 1170 71
<b>8(9-14)</b>	<b>Valve housing, complete</b>		1	3371 8210 25
9	Valve housing		1	-
10	Fitting 02	Use LOCTITE® 245™	4	3371 8147 33
11	Fitting 04	Use LOCTITE® 245™	2	3371 8131 41
12	Ball		1	3371 8207 17
13	Seal ring	9/14 x 1 mm 0.35/0.55 x 0.039 in.	1	3371 8207 18
14	Check valve screw		1	3371 8202 62
<b>15(16-18)</b>	<b>Cylinder, complete</b>		1	3371 8210 30
16	Cylinder		1	-
17	Fitting 02	Use LOCTITE® 245™	2	3371 8147 33
18	Fitting 04	Use LOCTITE® 245™	1	3371 8131 41
19	Piston		1	3371 8202 48
20	Screw	M10 x 35 mm, Use LOCTITE® 245™	4	3371 8147 23
21	Spool		1	3371 8202 65
22	Guide socket	Use LOCTITE® 245™	1	3371 8202 66
23	Spool socket	Use LOCTITE® 245™	1	3371 8202 67
24	O-ring	24 x 1.5 mm 0.94 x 0.06 in.	1	3371 8207 02
25	O-ring	18 x 2 mm 0.71 x 0.08 in.	4	3371 8207 03
26	O-ring	32 x 2 mm 1.26 x 0.08 in.	2	3371 8207 05
27	O-ring	25.12 x 1.78 mm 0.99 x 0.07 in.	1	3371 8207 62
28	Locking ring		1	3371 8207 51
29	Seal	38/45 x 6 mm 1.50/1.77 x 0.24 in.	1	3371 8207 49
30	Wiper	38/48 x 7/10 mm 1.50/1.89 x 0.28/0.39 in.	1	3371 8207 52
31	Seal ring	½ in. BSP	2	3371 8057 14
32	Nipple	(T) for 40 l/min, ½ in. BSP	1	3371 8057 11
33	Nipple	(T) for 35 l/min, ½ in. BSP	1	3371 8181 20
34	Nipple	(T) for 30 l/min, ½ in. BSP	1	3371 8180 13
35	Nipple	(T) for 40 l/min, ½ in. BSP	1	3371 8057 11
36	Trigger valve	Constant activated	1	3371 8202 40
37	O-ring	30 x 2 mm 1.18 x 0.06 in.	1	3371 8207 04
38	O-ring	6 x 2 mm 0.24 x 0.08 in.	1	3371 8177 57
39	O-ring	8 x 2 mm 0.31 x 0.08 in.	1	3376 1000 84
40	Back-up washer		4	3371 8157 35
41	O-ring	82 x 1.5 mm 3.23 x 0.06 in.	1	3371 8207 25
42	O-ring	18 x 1.5 mm 0.71 x 0.06 in.	1	3371 8207 48
43	O-ring	13 x 1.5 mm 0.51 x 0.06 in.	2	3371 8147 49

No.	Description	Remark	Quantity	Part number
44	Top plate		1	3371 8202 81
45	Back-up washer	38.7/48 x 2.5 mm 1.52/1.89 x 0.98 in.	1	3371 8202 60
46	Locking ring		1	3371 8207 50
47	Nose part		1	3371 8211 11
48	Bottom plate	Welded assembly	1	3371 8210 41
49	Bushing	Hex 32 x 160 mm (1 ¼ x 6 ⅝ in.), Use LOCTITE® 648™	1	3371 8201 94
50	Screw	M12 x 75 mm, Use LOCTITE® 245™	2	3371 8207 53
51	Handle		2	3371 8202 88
52	Screw	M10 x 25 mm, Use LOCTITE® 245™	2	3376 1000 01
53	Washer	10 mm 0.39 in.	4	3377 1000 10
54	Lifting bracke		1	3371 8202 94
55	Screw	M10 x 20 mm, Use LOCTITE® 245™	2	3371 8177 21
56	O-ring	16.3 x 2.4 mm 0.64 x 0.09 in.	1	3371 8147 02
<b>57(58-65)</b>	<b>On/off valve, complete</b>		1	3371 8210 43
58	On/off valve		1	3371 8037 63
59	Nipple	⅜ in. BSP M – ½ in. BSP M	4	3377 0004 32
60	Seal ring	⅜ in. BSP	4	3377 0163 75
61	Seal ring	½ in. BSP	2	3371 8057 14
62	Quick-release coupling	Female	1	3371 8051 33
63	Quick-release coupling	Male	1	3371 8051 34
64	Protective cap	Male, for QRC	1	3371 8057 32
65	Protective cap	Female, for QRC	1	3371 8057 33
66	Tail hose	1.8 mm 0.07 in.	2	3371 8030 68
67	Screw	M10 x 35 mm, Use LOCTITE® 245™	4	3371 8147 23
68	Data plate		1	-

LOCTITE is a registered trademark of Henkel Corporation. 245, 648 are trademarks of Henkel Corporation.



# Remote valve



No.	Description	Remark	Quantity	Part number
1	Remote valve		1	3371 8210 43
2	O-ring		2	3371 8217 06
3	Button		2	3371 8211 44
4	Screw		2	3371 8177 64

## Tightening torque

### LPD-HD-T

No.	Description	Tightening torque (Nm)	Remark	Part number
20	Screw	70	LOCTITE® 245™	3371 8147 23
22	Guide socket	100	LOCTITE® 245™	3371 8202 66
23	Spool socket	100	LOCTITE® 245™	3371 8202 67
32	Nipple	55	(T)	3371 8057 11
33	Nipple	55	(T)	3371 8180 13
34	Nipple	55	(T)	3371 8180 20
35	Nipple	55	(P)	3371 8057 11
51	Screw	60	LOCTITE® 245™	3371 8207 53
58	Screw	60	LOCTITE® 245™	3371 8177 21
79	Screw	40	LOCTITE® 245™	3371 8177 20

### LPD-HD-RV

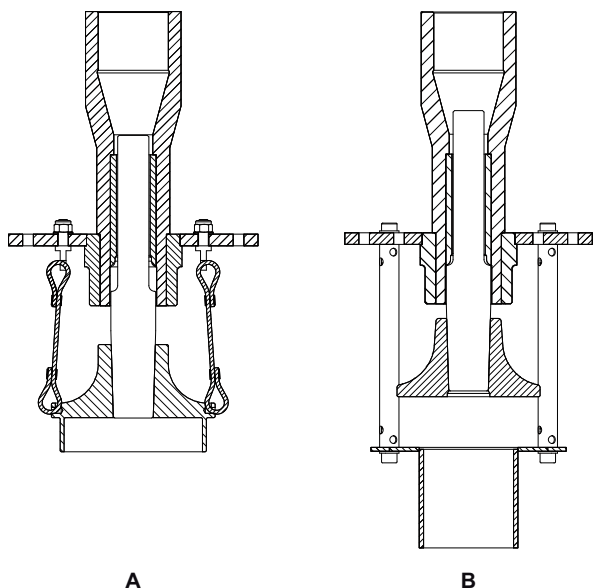
No.	Description	Tightening torque (Nm)	Remark	Part number
20	Screw	70	LOCTITE® 245™	3371 8147 23
22	Guide socket	100	LOCTITE® 245™	3371 8202 66
23	Spool socket	100	LOCTITE® 245™	3371 8202 67
32	Nipple	55	(T)	3371 8057 11
33	Nipple	55	(T)	3371 8180 13
34	Nipple	55	(T)	3371 8180 20
35	Nipple	55	(P)	3371 8057 11
51	Screw	60	LOCTITE® 245™	3371 8207 53
58	Screw	60	LOCTITE® 245™	3371 8177 21
62	Nipple	40		3377 0004 32
70	Screw	40	LOCTITE® 245™	3371 8177 20

LOCTITE is a registered trademark of Henkel Corporation. 245 are trademarks of Henkel Corporation.



# Working tools

## Driver kits



### Driver kit A

Includes anvil rod (14), solid adaptor (10-13), steel ropes, retainers and fasteners.

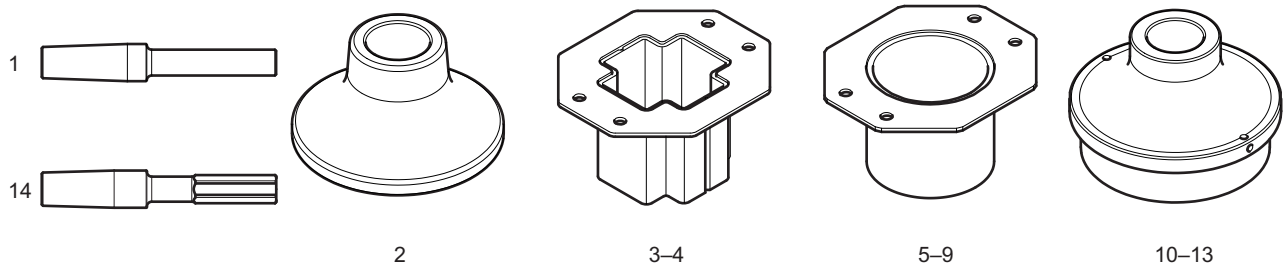
Description	Remark	Quantity	Part number
Solid adaptor, round	For 6.0 in. tubes and 140 mm poles	1	3371 8060 52
Solid adaptor, round	For Ø135-145 mm tubes	1	3371 8060 53
Solid adaptor, round	For Ø105-115 mm tubes	1	3371 8060 54
Solid adaptor, round	For Ø150 mm poles	1	3371 8060 55

### Driver kit B

Includes anvil rod (1), anvil head (2), guide adaptor (3-9), spacers, and fasteners.

Description	Remark	Quantity	Part number
Guide adaptor, rectangular	For IPE/Sigma/C 100 mm beams	1	3371 8060 45
Guide adaptor, rectangular	For IPE/C 120 mm beams	1	3371 8060 46
Guide adaptor, round	For 2.5 in. tubes and 70-75 mm poles	1	3371 8060 47
Guide adaptor, round	For 3.0 in. tubes and 80-85 mm poles	1	3371 8060 48
Guide adaptor, round	For 3.5 in. tubes and 95-100 mm poles	1	3371 8060 49
Guide adaptor, round	For 4.0 in. tubes and 105-110 mm poles	1	3371 8060 50
Guide adaptor, round	For 5.0 in. tubes and 125-135 mm poles	1	3371 8060 51

## Working tools



No.	Description	Remark	Quantity	Part number
1	Anvil rod	Ø32 x 160 mm round shank	1	3371 8211 12
2	Anvil head	Ø148 x 81 mm flat end	1	3371 8212 34
3	Guide adaptor, rectangular	For IPE/Sigma/C 100 mm beams	1	3371 8212 47
4	Guide adaptor, rectangular	For IPE/ C 120 mm beams	1	3371 8212 50
5	Guide adaptor, round	For 2.5 in. tubes and 70-75 mm poles	1	3371 8212 51
6	Guide adaptor, round	For 3.0 in. tubes and 80-85 mm poles	1	3371 8212 52
7	Guide adaptor, round	For 3.5 in. tubes and 95-100 mm poles	1	3371 8212 53
8	Guide adaptor, round	For 4.0 in. tubes and 105-110 mm poles	1	3371 8212 54
9	Guide adaptor, round	For 5.0 in. tubes and 125-135 mm poles	1	3371 8212 55
10	Solid adaptor, round	For 6.0 in. tubes and 140 mm poles	1	3371 8212 46
11	Solid adaptor, round	For Ø135-145 mm tubes	1	3371 8211 19
12	Solid adaptor, round	For Ø105-115 mm tubes	1	3371 8211 20
13	Solid adaptor, round	For Ø150 mm poles	1	3376 1120 77
14	Anvil rod	Ø32 x 160 mm HEX shank	1	3371 8212 88

# Accessories

## Hoses and couplings

Description	Remark	Quantity	Part number
<b>Connection hose, complete</b>	Ø ½ in. L = 16 in. Ø 12.5 mm L = 0.4 m	1	3371 8010 83
Hose	Ø ½ in. L = 16 in. Ø 12.5 mm L = 0.4 m	2	3371 8030 50
Seal ring	Bonded seal ½ in. BSP	2	3371 8057 14
Quick-release coupling	Female ½ in. BSP	1	3371 8051 33
Quick-release coupling	Male ½ in. BSP	1	3371 8051 34
Protective cap	Female	1	3371 8057 33
Protective cap	Male	1	3371 8057 32
<b>Twin hose, complete</b>	Ø ½ in. L = 276 in. Ø 12.5 mm L = 7 m	1	3371 8010 87
Seal ring	Bonded seal ½ in. BSP	4	3371 8057 14
Quick-release coupling	Female ½ in. BSP	2	3371 8051 33
Quick-release coupling	Male ½ in. BSP	2	3371 8051 34
Protective cap	Female	2	3371 8057 33
Protective cap	Male	2	3371 8057 32
Twin hose	Ø ½ in. L = 276 in. Ø 12.5 mm L = 7 m	1	3371 8030 52
<b>Connection hose, complete</b>	Ø ½ in. L = 62 in. Ø 12.5 mm L = 1.6 m	1	3371 8011 90
Hose	Ø ½ in. L = 62 in. Ø 12.5 mm L = 1.6 m	2	3371 8030 64
Seal ring	Bonded seal ½ in. BSP	2	3371 8057 14
Quick-release coupling	Female ½ in. BSP	1	3371 8051 33
Quick-release coupling	Male ½ in. BSP	1	3371 8051 34
Protective cap	Female	1	3371 8057 33
Protective cap	Male	1	3371 8057 32
Label "P"	Pressure side	1	3371 8021 15

# Kits

## Seal kit

Description	Remark	Quantity	Part number
Seal kit		1	3371 8200 87
Seal ring	8.7/13 x 1 mm 0.34/0.51 x 0.039 in.	1	3371 8147 09
Protective nut	M24 x 1.5 mm	1	3376 1170 71
O-ring	24 x 1.5 mm 0.94 x 0.06 in.	1	3371 8207 02
O-ring	18 x 2 mm 0.71 x 0.08 in.	4	3371 8207 03
O-ring	32 x 2 mm 1.26 x 0.08 in.	2	3371 8207 05
O-ring	25.12 x 1.78 mm 0.99 x 0.07 in.	1	3371 8207 62
Locking ring		1	3371 8207 51
Seal	38/45 x 6 mm 1.50/1.77 x 0.24 in.	1	3371 8207 49
Wiper	38/48 x 7/10 mm 1.50/1.89 x 0.28/0.39 in.	1	3371 8207 52
Seal ring	½ in. BSP	2	3371 8057 14
Circlip		2	3371 8147 32
Shim	PS 8 x 14 x 0.5 mm 0.31 x 0.55 x 0.02 in.	1	3371 8207 00
O-ring	8.3 x 2.4 mm 0.33 x 0.09 in.	1	3371 8147 00
O-ring	16.3 x 2.4 mm 0.64 x 0.09 in.	1	3371 8147 02
Seal	18/14 x 3.5/5 mm 0.71/0.55 x 0.14/0.20 in.	1	3371 8055 03
Back-up ring		1	3371 8147 01
Circlip		1	3371 8147 12
O-ring	6 x 2 mm 0.24 x 0.08 in.	1	3371 8177 57
O-ring	8 x 2 mm 0.31 x 0.08 in.	1	3376 1000 84
Seal ring	9/14 x 1 mm 0.35/0.55 x 0.039 in.	1	3371 8207 18
O-ring	82 x 1.5 mm 3.23 x 0.06 in.	1	3371 8207 25
O-ring	18 x 1.5 mm 0.71 x 0.06 in.	1	3371 8207 48
O-ring	13 x 1.5 mm 0.51 x 0.06 in.	2	3371 8147 49
Back-up washer	38.7/48 x 2.5 mm 1.52/1.89 x 0.10 in.	1	3371 8202 60
Locking ring		1	3371 8207 50

## Label kit

Description	Remark	Quantity	Part number
<b>Label kit</b>		1	3371 8212 59
Safety label		1	3371 8960 61
Label	N2	1	3371 8960 62
Product label	"Atlas Copco"	1	3371 8960 97
Product label	"LPD-HD-T"	1	3371 8972 86
Noise level label		1	3371 8960 06
Product label	"LPD-HD-RV"	1	3371 8972 87







Any unauthorized use or copying of the contents or any part thereof is prohibited.  
This applies in particular to trademarks, model denominations, part numbers, and drawings.

© 2013 Atlas Copco Construction Tools AB | No. 3392 5119 01f | 2013-02-05